

DynaCHARGE™ PM 1 Particulate Monitor

Particulate monitor employing charge induction sensing for reliable continuous monitoring of particulate in stacks, ducts, or pipes, filter leak detection, and indication of powder flow

Key Features:

- 6-digit readout and lockable keypad (no trim pots or knobs)
- Convenient loop tests and alarm setting features
- Removable electronics module

Technical Data:

Resolution 0.5 pA (Monitoring) and 5.0 pA (Detection)
 Minimum Detection ~1 - 5 mg/m³
 Process Pressure (max.) 10 PSI (0.69 bar)
 Process Temperature -40 °F - 450 °F (-40 °C to 232 °C)
 Ambient Temperature -13 °F to 140 °F (-25 °C to 60 °C)
 Hazardous Areas Class II Div. II (Zone 22)

PM 1-T (Transmitter)

Power/Output Loop powered/4-20mA (2-wire)

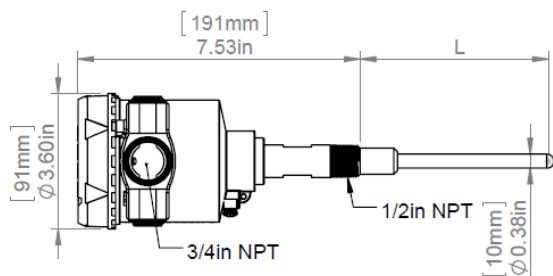
PM 1-A (Alarm)

Power/Output 24 VDC or 100-240 VAC/2 SPST 5A @ 240 VAC

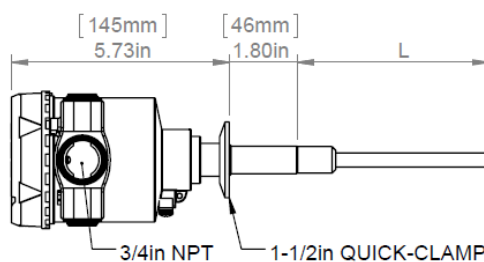


Dimensions:

Threaded Version

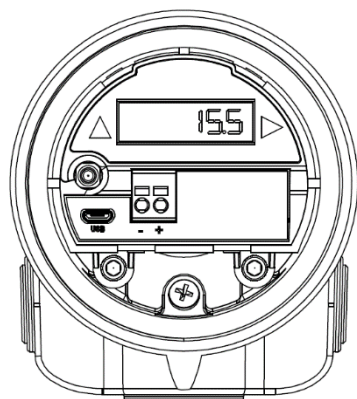


Quick Clamp Version

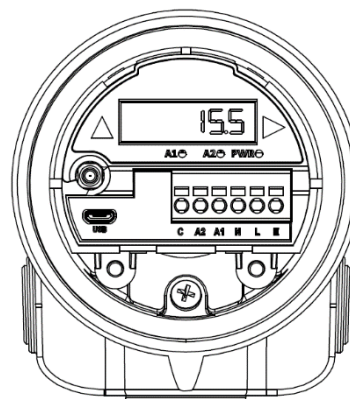


Electrical:

PM 1-T (Transmitter)



PM 1-A (Alarm)



Ordering Code:

10	CODE	Base - DynaCHARGE™ PM 1 Particulate Monitor
	PM 1-T	<i>Transmitter, 4-20mA Loop Power</i>
	PM 1-A	<i>Alarm, AC/DC Universal Power (20 to 250 VAC/VDC) + 2 Relay</i>
	PM 1-A(D)	<i>Alarm DC Power (18-60 VDC) + 2 Relay</i>
20	CODE	Functionality
	S	<i>Standard Functionality</i>
30	CODE	Resolution and Range
	R1	<i>5.0pA, Range 0 to 5000pA</i>
	R2	<i>0.5pA, Range 0 to 5000pA</i>
	R9	<i>10.0pA, Range 0 to 100,000pA</i>
40	CODE	Probe Length (~1/2 Duct Diameter)
	L1.5	<i>1.5" (3.8 cm)</i>
	L3	<i>3.0" (7.6 cm)</i>
	L6	<i>6.0" (15.2 cm)</i>
	L12	<i>12" (30.5 cm)</i>
	L18	<i>18" (45.7 cm)</i>
	L24	<i>24" (60.9 cm)</i>
	L30	<i>30" (76.2 cm)</i>
	L36	<i>36" (91.4 cm)</i>
50	CODE	Process Mount
	N05	<i>NPT Male 0.5"</i>
	B05	<i>BSPT Male 0.5"</i>
	Q15	<i>Quick Clamp, 1.5"</i>
	Process Mount Kit (Optional)	
	M	<i>Process Mounting Kit</i>
	MX	<i>Extended Process Mounting Kit</i>
60	CODE	Process Temperature
	T2	<i>-13 F to 250 F (-25 C to 120 C) Max.</i>
	T4	<i>-13 F to 450 F (-25 C to 232 C) Max.</i>
70	CODE	Process Pressure
	P0	<i>0 to 10 PSI Max.</i>
80	CODE	Sensor Additional
	N	<i>None</i>
90	CODE	Enclosure
	X	<i>NEMA 4X Powder-Coated Aluminum</i>
100	CODE	Approvals
	G	<i>Ordinary/General Purpose Only (CE Approved)(CSA/UL Approval)</i>
	H2	<i>Hazardous Location, CSA Approval, Class II, Division II, Groups E-G, ATEX, IECEx</i>

Example Model Number:

10	20	30	40	-	50	60	70	80	90	100
PM 1-T	S	R2	L12	-	Q15M	T4	P0	N	X	G
ELECTRONICS					SENSOR					

Description:

PM 1-T Particulate Monitor, 4-20 mA Loop Power
 Standard Functionality
 Resolution 0.5pA; Range 0-5,000 pA
 12" Probe Length (30.5 cm)
 1.5" Quick Clamp Process mount, including mounting kit
 Process Temperature: -13°F to 450°F (-25°C to 232°C)
 Process Pressure: 0-10 PSI Max.
 NEMA 4X Powder Coated Aluminum
 Ordinary/General Purpose